

# S LUM GEN 2

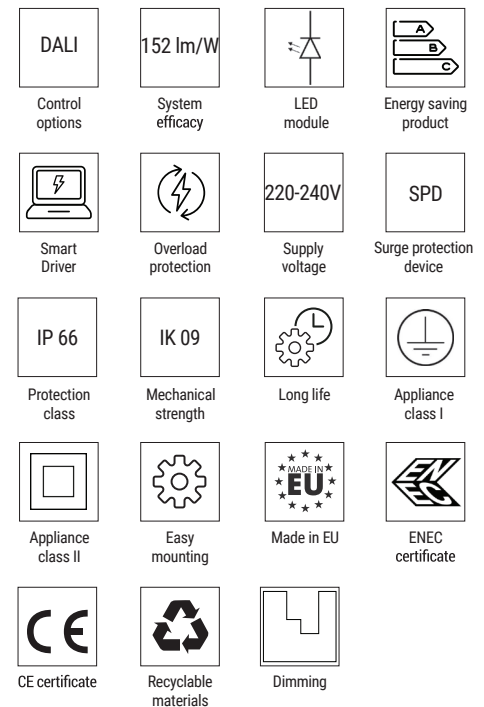


**LUMENIA  
STREET**

S LUM light is our star energy-efficient product for street lighting, as it drastically reduces energy and maintenance costs. S LUM street lights feature a toolless, replaceable light engine and power supply. Other features include a post-top mounting bracket that is horizontally and vertically adjustable. This reliable luminaire has a long lifetime of more than 100,000 hours.



|                               | S LUM GEN 2 STANDARD   | S LUM GEN 2 PREMIUM                   |
|-------------------------------|--|---------------------------------------|
| System efficacy               | Up to 152 lm/W   | Up to 152 lm/W                        |
| Supply voltage                | 220–240 VAC  | 220–240 VAC                           |
| LED                           | S LUM 1: 12-16<br>S LUM 2: 28-48   | S LUM 1: 12-16<br>S LUM 2: 28-48      |
| Power                         | S LUM 1: 30-55 W<br>S LUM 2: 60-135 W  | S LUM 1: 30-55 W<br>S LUM 2: 60-135 W |
| Luminous flux                 | 4,150-20,120 lm  | 4,150-20,120 lm                       |
| Power factor                  | >0.96  | >0.96                                 |
| EPA rating                    | 0.0336 m <sup>2</sup>  | 0.0406 m <sup>2</sup>                 |
| Advisable installation height | Up to 8 m  | Up to 15 m                            |
| Weight (kg)                   | S LUM 1: 6 kg; S LUM 2: 9 kg   | S LUM 1: 6 kg; S LUM 2: 9 kg          |
| Lifetime                      | L80B10: >100,000 h   | L90B10: >100,000 h                    |
| CCT                           | 2700 K / 3000 K / 4000 K; other upon request   |                                       |
| CRI                           | ≥70; ≥80 upon request  |                                       |
| Ingress protection            | IP 66  |                                       |
| Mechanical strength           | IK 09  |                                       |
| Surge protection options      | 10 kV / 6 kV; additional SPD 10 kV / 10 kA   |                                       |
| Operating temperature         | -40 °C to +55 °C   |                                       |
| Electrical / Appliance class  | Class I, Class II  |                                       |
| Tilt                          | -10° to 15°  |                                       |
| Dimming levels                | 0-100 %  |                                       |
| Remote control options        | PLC or RF, DALI or 1-10V   |                                       |
| Colour (RAL)                  | RAL 7037   |                                       |
| Housing material              | Aluminium  |                                       |
| Salt spray test               | Yes (salt chamber test according to EN 60068 -2 -11:1999)  |                                       |
| Mounting                      | Pole 60 mm or 76 mm  |                                       |
| Warranty                      | 5 years on electronics, 10 years on mechanical parts   |                                       |
| Certificates                  | IEC 60598-1:2014 (8. izdaja); IEC 60598-2-3:2002 + A1:2011; EN 60598 -1:2015; EN 60598-2-3:2003 + A1:2011; IEC/EN 62031:2008 + A1 + A2; IEC/TR 62778:2014; EN60068-2-6; N60068-2-27:CE, ENEC, LM79, IES LM-82-12 |                                       |



## MAIN FEATURES

Efficacy up to 152 lm/W  
Screw-less access  
Die cast aluminium  
IoT compatible

## APPLICATIONS

Road types: P1, P2, P3, P4, P5, P6, M1, M2, M3, M4, M5, M6  
Smaller sport playgrounds  
Parking lots

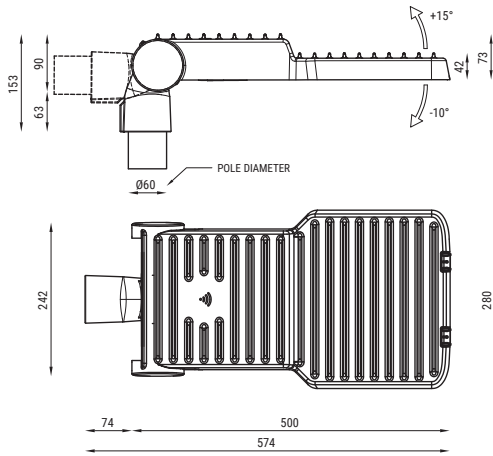
## ACCESSORIES

Surge protection device (SPD)  
ZHAGA socket  
NEMA socket  
Integrated camera

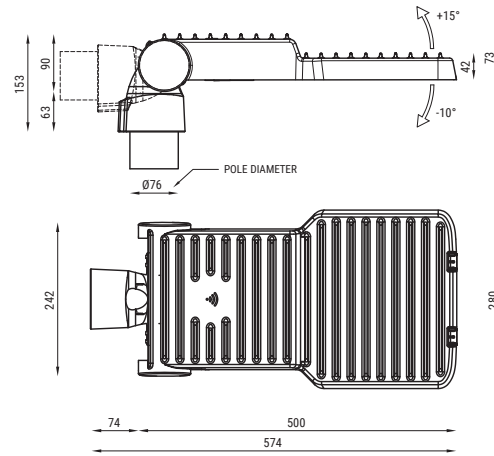
| VARIATION                    | Standard                | Premium                 |
|------------------------------|-------------------------|-------------------------|
| Efficacy                     | Up to 152 lm/W          | Up to 152 lm/W          |
| Tool-less entry              | Yes                     | Yes                     |
| Overheat protection          | Yes                     | Yes                     |
| Number of optics             | 8                       | 8                       |
| Different CCT available      | Yes                     | Yes                     |
| Surge protection option      | Optional                | Optional                |
| Control options              | DALI, optional RF & PLC | DALI, optional RF & PLC |
| Time dependant luminous flux | Yes                     | Yes                     |

# DIMENSIONS

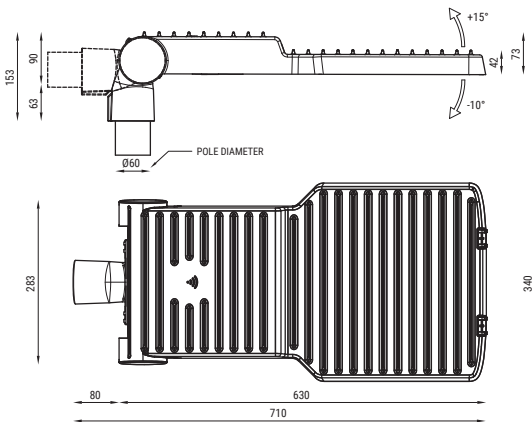
## S LUM 1 + ROTOR $\Phi 60$ MM



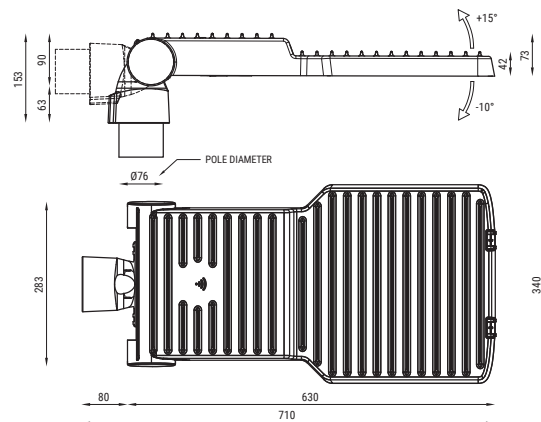
## S LUM 1 + ROTOR $\Phi 76$ MM



## S LUM 2 + ROTOR $\Phi 60$ MM

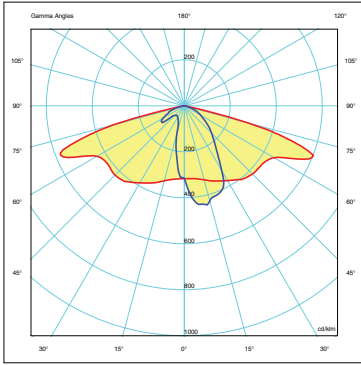


## S LUM 2 + ROTOR $\Phi 76$ MM

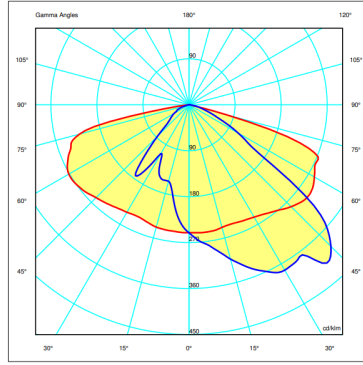


\*All dimensions are in mm.

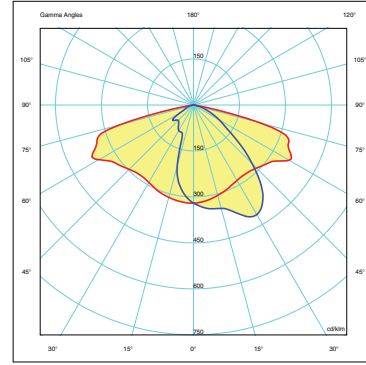
# OPTICS



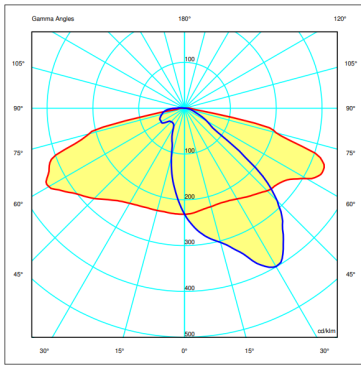
002: Suitable for narrower roadways, access roads, cycling and pedestrian areas.



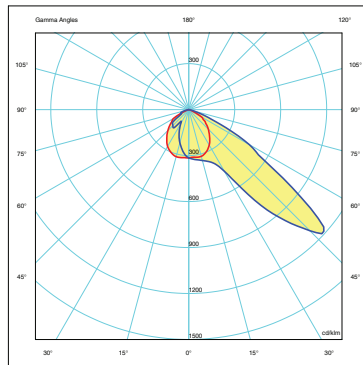
004: Suitable for larger distances between poles. High longitudinal uniformity factor.



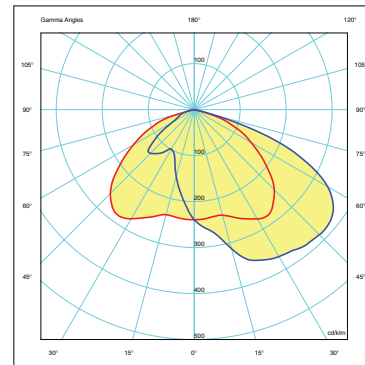
010: Suitable for larger distances between poles and high mounting installation. Higher uniformity factor.



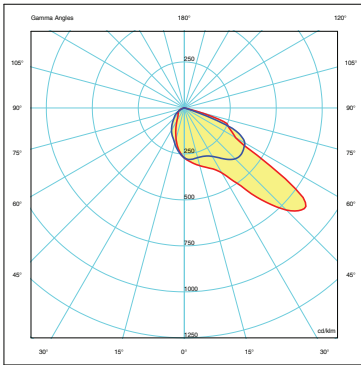
020: Suitable for wider roadways with large distances between poles.



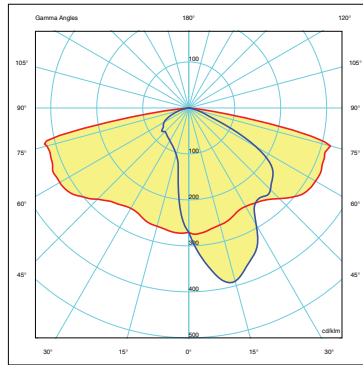
101: Suitable for small distances between poles and for parking spaces.



110: Suitable for wide roadways, smaller distances between poles and for parking spaces.



111: Suitable for pedestrian crossings.



220: Suitable for wide roadways and long distances between poles.

# PRODUCT VARIATIONS

## STANDARD Gen2

| Article               | LED | Power [W] | Luminous flux [lm] *    | Efficacy [lm/W] | Forward current [mA] | Body type | Control | Appliance class    | Additional options                                   |
|-----------------------|-----|-----------|-------------------------|-----------------|----------------------|-----------|---------|--------------------|--|
| S1S.T.SA.12.30._ _ _  | 12  | 30        | Up to 4560/4320/4150    | 152/144/138     | 400                  | S LUM 1   | DALI    | Class I / Class II | SPD, PLC, RF, NEMA socket, ZHAGA socket, Lightswitch |
| S1S.T.SA.16.40._ _ _  | 16  | 40        | Up to 6080/5760/5530    | 152/144/138     | 400                  | S LUM 1   | DALI    | Class I / Class II | SPD, PLC, RF, NEMA socket, ZHAGA socket, Lightswitch |
| S1S.T.SA.16.55._ _ _  | 16  | 55        | Up to 7870/7455/7120    | 144/135/130     | 525                  | S LUM 1   | DALI    | Class I / Class II | SPD, PLC, RF, NEMA socket, Lightswitch               |
| S2S.T.SA.24.60._ _ _  | 24  | 60        | Up to 9120/8640/8330    | 152/144/139     | 400                  | S LUM 2   | DALI    | Class I / Class II | SPD, PLC, RF, NEMA socket, ZHAGA socket, Lightswitch |
| S2S.T.SA.32.80._ _ _  | 32  | 80        | Up to 12150/11520/11100 | 152/144/139     | 400                  | S LUM 2   | DALI    | Class I / Class II | SPD, PLC, RF, NEMA socket, ZHAGA socket, Lightswitch |
| S2S.T.SA.32.100._ _ _ | 32  | 100       | Up to 14660/13900/13400 | 147/139/134     | 490                  | S LUM 2   | DALI    | Class I / Class II | SPD, PLC, RF, NEMA socket, ZHAGA socket, Lightswitch |
| S2S.T.SA.48.120._ _ _ | 48  | 120       | Up to 18220/17280/16660 | 152/144/139     | 400                  | S LUM 2   | DALI    | Class I / Class II | SPD, PLC, RF, NEMA socket, ZHAGA socket, Lightswitch |
| S2S.T.SA48.135._ _ _  | 48  | 135       | Up to 20120/19080/18220 | 149/141/135     | 440                  | S LUM 2   | DALI    | Class I / Class II | SPD, PLC, RF, NEMA socket, ZHAGA socket, Lightswitch |

## PREMIUM Gen2

| Article              | LED | Power [W] | Luminous flux [lm] *    | Efficacy [lm/W] | Forward current [mA] | Body type | Control | Appliance class    | Additional options                                   |
|----------------------|-----|-----------|-------------------------|-----------------|----------------------|-----------|---------|--------------------|--|
| S1PT.SA.12.30._ _ _  | 12  | 30        | Up to 4560/4320/4150    | 152/144/138     | 400                  | S LUM 1   | DALI    | Class I / Class II | SPD, PLC, RF, NEMA socket, ZHAGA socket, Lightswitch |
| S1PT.SA.16.40._ _ _  | 16  | 40        | Up to 6080/5760/5530    | 152/144/138     | 400                  | S LUM 1   | DALI    | Class I / Class II | SPD, PLC, RF, NEMA socket, ZHAGA socket, Lightswitch |
| S1PT.SA.16.55._ _ _  | 16  | 55        | Up to 7870/7455/7120    | 144/135/130     | 525                  | S LUM 1   | DALI    | Class I / Class II | SPD, PLC, RF, NEMA socket, Lightswitch               |
| S2PT.SA.28.60._ _ _  | 28  | 60        | Up to 9120/8640/8330    | 152/144/139     | 400                  | S LUM 2   | DALI    | Class I / Class II | SPD, PLC, RF, NEMA socket, ZHAGA socket, Lightswitch |
| S2PT.SA.32.80._ _ _  | 32  | 80        | Up to 12150/11520/11100 | 152/144/139     | 400                  | S LUM 2   | DALI    | Class I / Class II | SPD, PLC, RF, NEMA socket, ZHAGA socket, Lightswitch |
| S2PT.SA.32.100._ _ _ | 32  | 100       | Up to 14660/13900/13400 | 147/139/134     | 490                  | S LUM 2   | DALI    | Class I / Class II | SPD, PLC, RF, NEMA socket, ZHAGA socket, Lightswitch |
| S2PT.SA.48.120._ _ _ | 48  | 120       | Up to 18220/17280/16660 | 152/144/139     | 400                  | S LUM 2   | DALI    | Class I / Class II | SPD, PLC, RF, NEMA socket, ZHAGA socket, Lightswitch |
| S2PT.SA48.135._ _ _  | 48  | 135       | Up to 20120/19080/18220 | 149/141/135     | 440                  | S LUM 2   | DALI    | Class I / Class II | SPD, PLC, RF, NEMA socket, ZHAGA socket, Lightswitch |

\*Luminous flux is valid for CCT 4000 K / 3000 K / 2700 K

The latest validated data is available at [www.lumenia.com](http://www.lumenia.com).