

# F LUM MIDI



**LUMENIA  
OUTDOOR**

F LUM Midi is our middle-sized outdoor fixture used to illuminate medium sized areas. It is available in wide range of lumen output packages and various symmetric and asymmetric beam angles. It features a die cast aluminium housing with cooling fins, long lifetime and high system efficiency.



	F LUM MIDI		
System efficacy	Up to 144 lm/W		
Supply voltage	220-240 VAC		
Power	200 W	250 W	300 W
Luminous flux	Up to 28,519 lm	Up to 36,089 lm	Up to 42,449 lm
Weight	5,9 kg	7,2 kg	7,2 kg
Power factor	> 0.95		
Lifetime L70B10	> 50,000 h		
CCT	4,000 K, other upon request		
CRI	>70, other upon request		
Ingress protection	IP 66		
Mechanical strength	IK 08		
Surge protection options	10 kV		
Operating temperature	-30 °C to + 50 °C		
Colour	Aluminium gray		
Housing material	Aluminium		
Remote control options	Optional DALI		
Warranty	5 years		
Certificates	CE		



144 lm/W

System efficacy



LED module



Energy saving product



Overload protection



220-240V

Supply voltage



IP 66

Protection class



IK 08

Mechanical strength



Long life



Low maintenance



Ready to use



Easy mounting



DALI

Control options



CE certificate



Ball proof test

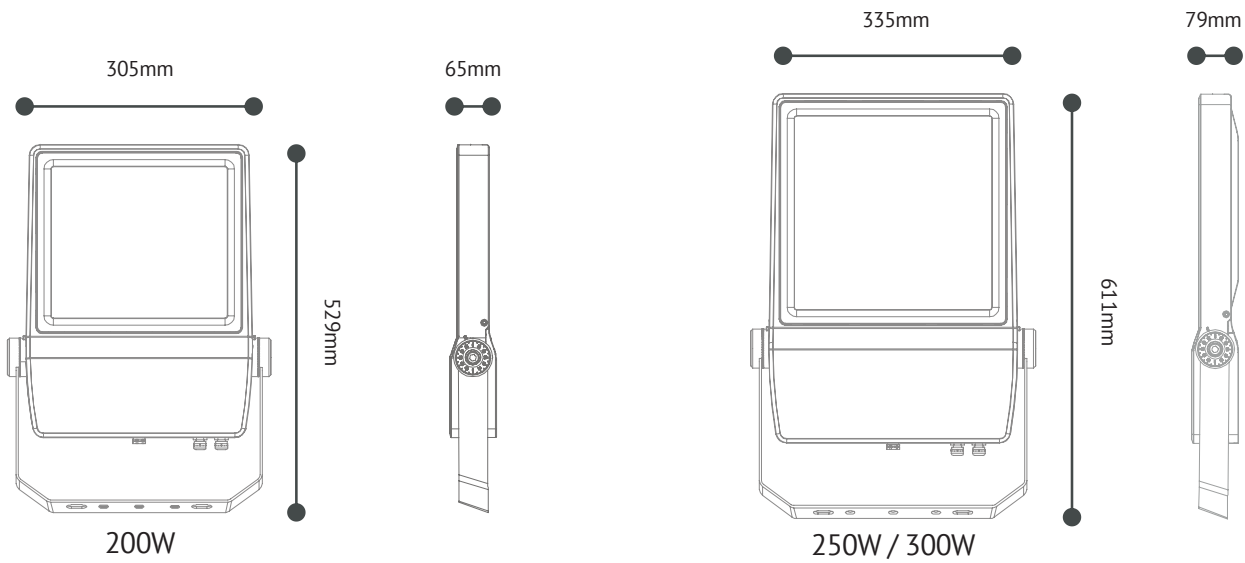
## MAIN FEATURES

High efficacy up to 144 lm/W  
 Easy mounting  
 No flickering  
 Compact size and light weight  
 180° projecting angle

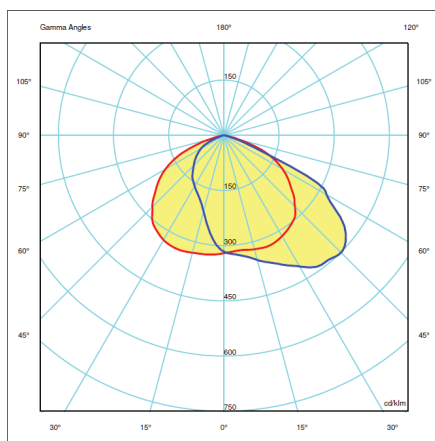
## APPLICATIONS

Billboards  
 Building exterior  
 Small and medium-sized parking lots  
 Small and medium sports fields

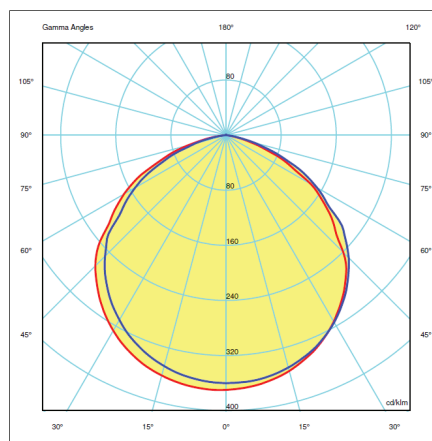
# DIMENSIONS



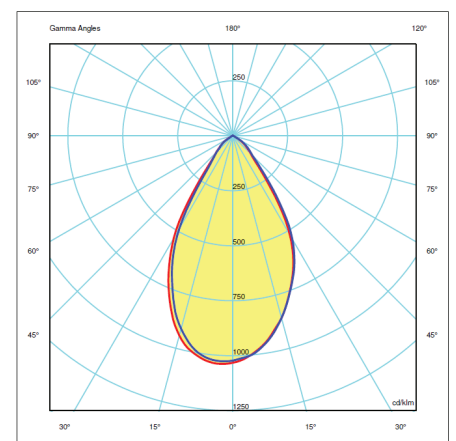
# OPTIC



000: Polarized distribution of luminance of 45 degree.



010: Distribution of luminance of 110 degree.



001: Distribution of luminance of 60 degree.

# PRODUCT VARIATION

Article	Power [W]	Luminous flux [lm]*	Beam angle	Efficacy [lm/W]*
F LUM Midi 240.200.000	200	26,519	000	133
F LUM Midi 296.250.000	250	33,150	000	133
F LUM Midi 352.300.000	300	38,871	000	130
F LUM Midi 240.200.001	200	26,699	001	133
F LUM Midi 296.250.001	250	34,200	001	137
F LUM Midi 352.300.001	300	41,000	001	137
F LUM Midi 240.200.010	200	28,519	010	143
F LUM Midi 296.250.010	250	36,089	010	144
F LUM Midi 352.300.010	300	42,449	010	141

\*Luminous flux is valid for CCT 4000 K