

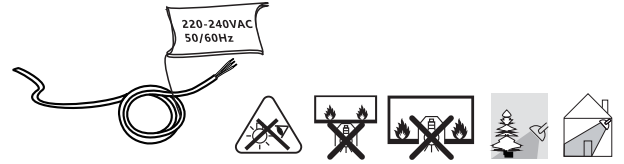
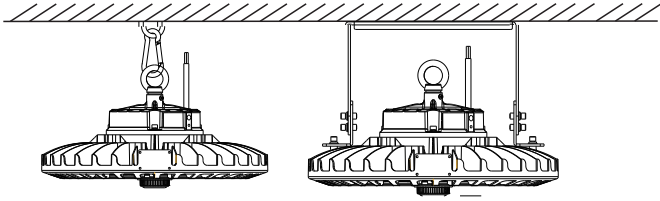
H LUM ROUND

Installation Instruction

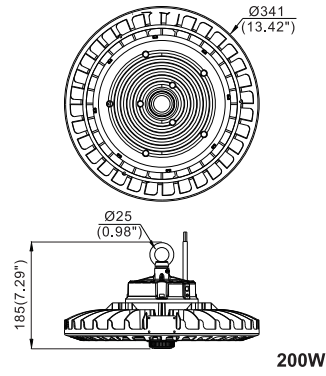
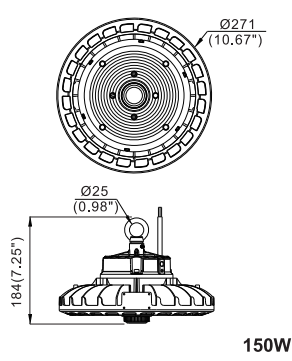
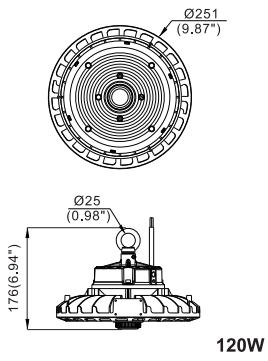


LUMENIA

LUMENIA d.o.o., Kandrše 7, 1252 Vače, Slovenia
Tel: +386 3 567 07 96, e-mail: info@lumenia.com
www.lumenia.si

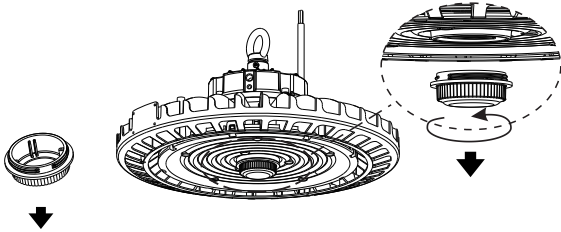


Physical Dimensions (Unit: mm/inch)

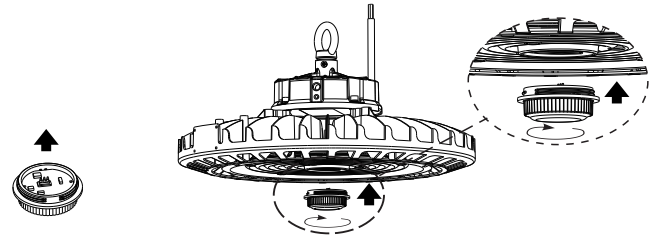


Motion sensor

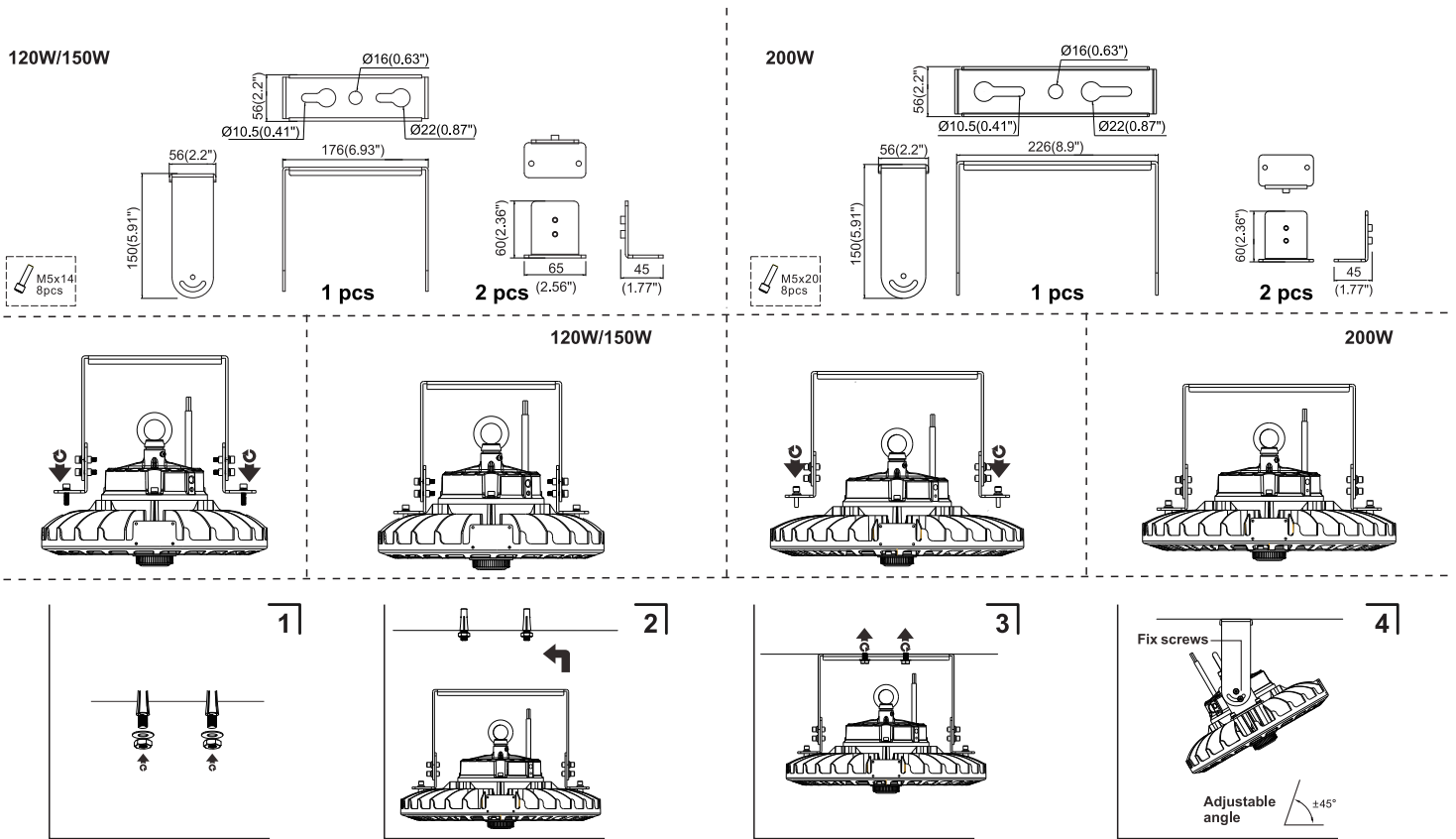
①



②



Physical Dimensions (Unit: mm/inch)



Product Specifications	100W/120W	150W	200W	240W
Size	Ø251×176mm (Ø9.87" x 6.94")	Ø271×184mm (Ø10.67" x 7.25")	Ø341×185mm (Ø13.42" x 7.29")	Ø341×185mm (Ø9.87" x 7.29")
Net Weight	2.2±0.3kg (4.85±0.66Lbs)	2.4±0.3kg (5.29±0.66Lbs)	3.2±0.3kg (7.05±0.66Lbs)	3.4±0.3kg (7.49±0.66Lbs)

L	brown	black
N	blue	white
⊕ GND	yellow/green	green

1-10V/DALI Dimmable	
DIM+ / DA1	blue brown purple white
DIM- / DA2	white blue gray black



Warning! do not wire dim cord to high voltage, or dim function will fail.

- Don't wire dim cord to high voltage, avoid dim function fail.
- Installation height recommends to be above 4 meters and indoor application.
- We highly suggest users to maintain and clean dust from the luminaire regularly, to keep its lifespan.
- If the external flexible cable or cord of this luminaire is damaged, it shall be exclusively replaced by the manufacturer or his service agent or a similar qualified person in order to avoid a hazard.