

# S LUM GEN 3



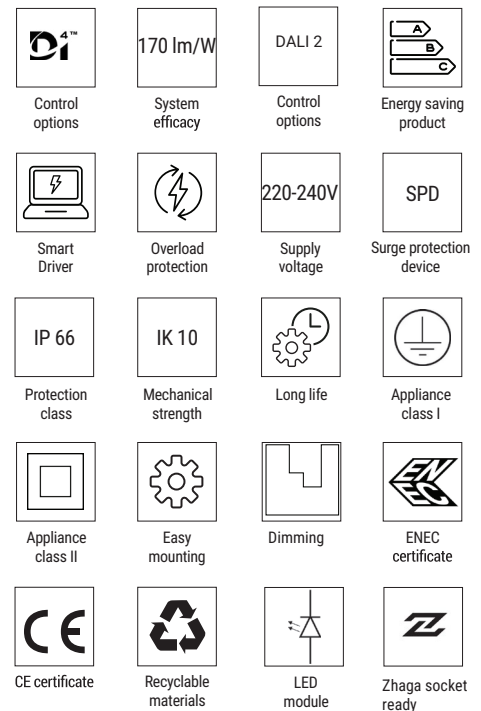
S LUM light is our star energy-efficient product for street lighting, as it drastically reduces energy and maintenance costs. It has a post-top mounting bracket that is horizontally and vertically adjustable. This reliable luminaire has a long lifetime of more than 100,000 hours.



	S LUM GEN 3
System efficacy	Up to 170 lm/W
Supply voltage	220 - 240 VAC; 50-60 Hz
LED	S LUM Small: 12-18; S LUM Medium: 36-54; S LUM Large: 48-72; S LUM Extra large: 72-108
Power*	Small: 10-50W; Medium: 50-80W; Large 80-120W; Extra large: 120-200W
Luminous flux**	Small: 1450-6600; Medium: 6600-13200; Large: 13200-20400; Extra large: 20400-33000 lm
Power factor	>0.96
Advisable installation height	Small: 4-6m; Medium: 6-10m; Large 10-12m; Extra large: 12-20m
Weight (kg)	S LUM Small: 4.5kg, Medium: 6.5kg, Large: 8.5kg, Extra large: 10.5kg
Lifetime	L90B10: >100,000 h
CCT	2700 K / 3000 K / 4000K; other upon request
CRI	≥70; ≥80 upon request
Ingress protection	IP 66
Mechanical strength	IK 10
Surge protection options	SPD 10 kV / 10 kA
Operating temperature	-40 °C to +55 °C
Electrical / Appliance class	Class I, Class II
Tilt	-15° to 15°
Dimming levels	0-100 %
Remote control options	DALI D4i + Zhaga socket (standard); RF, PLC, Narrow band)
Colour (RAL)	RAL 9023
Housing material	Die cast aluminium; Marine grade aluminium (optional)
Optical cover	5 mm tempered glass
Salt spray test	Yes (salt chamber test according to EN 60068 -2 -11:1999)
Mounting	Top or side pole entry, diameter 60 mm or 76 mm
Warranty	5 years
Certificates	IEC 60598-2-3:2002 + A1:2011, IEC60598-1:2020 IEC 60598-2-3:2003 + A1:2011, EN IEC 60598-1:2021 + A11:2022 IEC 62031:2018, IEC/TR 62696:2011, IEC/TR 62778:2014; CE; ENEC; LM79

\*Power consumption tolerance: +/- 5%

\*\*Lumen flux tolerance: +/- 5%



## MAIN FEATURE

Efficacy up to 170 lm/W  
Screw-less access  
Die cast aluminium  
IoT compatible  
Zhaga socket on top  
Screwless driver replacement  
Separate LED and driver compartment

## APPLICATIONS

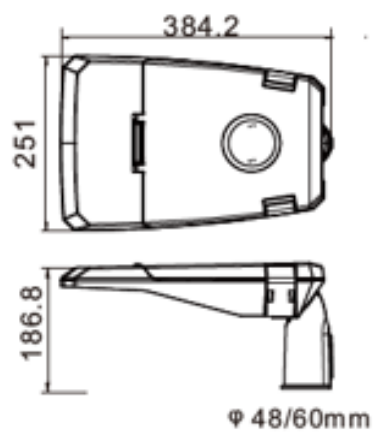
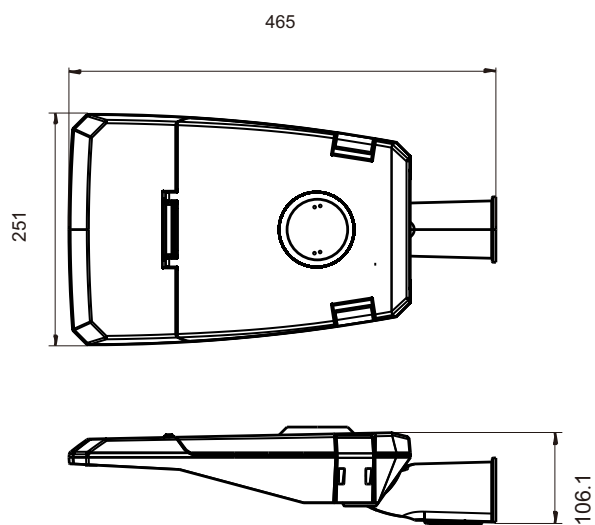
Road types: P1, P2, P3, P4, P5, P6, M1, M2, M3, M4, M5, M6  
Smaller sport playgrounds  
Parking lots

## ACCESSORIES

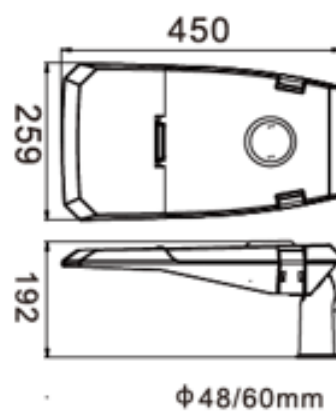
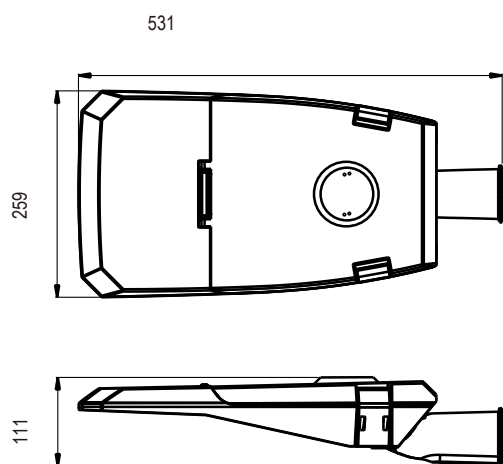
Double ZHAGA (Top + bottom)  
NEMA socket  
Integrated camera  
Motion sensor

# DIMENSIONS

## S LUM SMALL



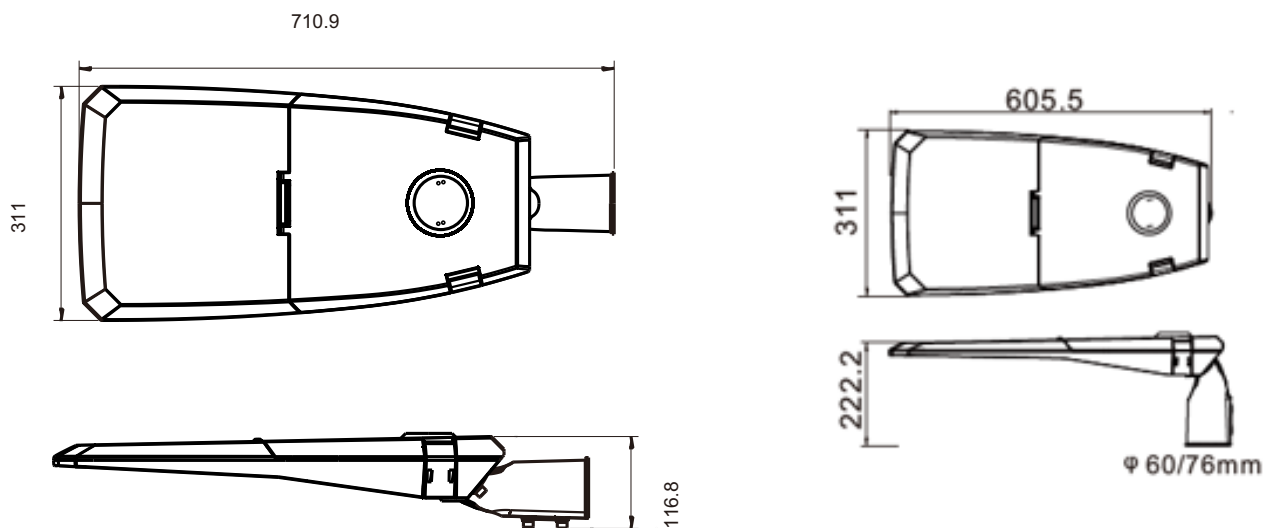
## S LUM MEDIUM



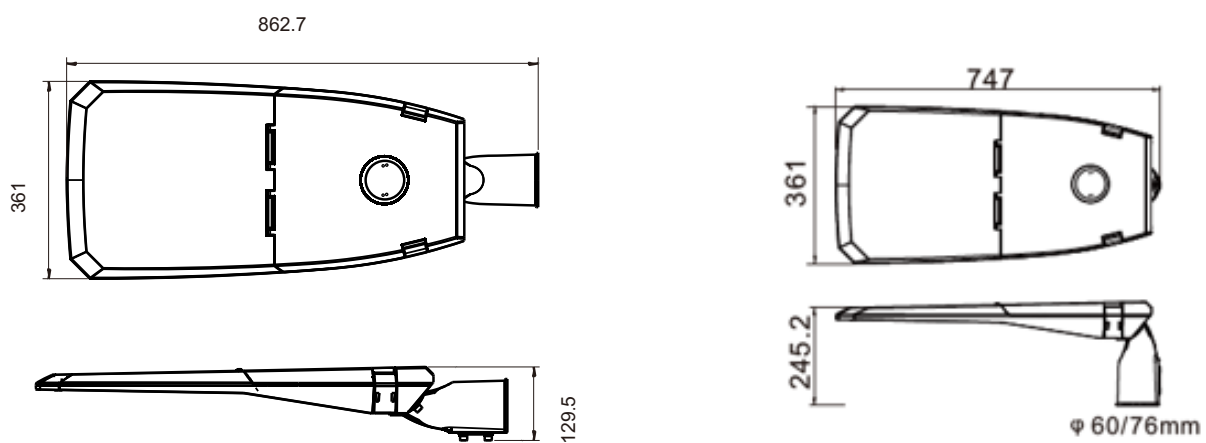
\*All dimensions are in mm.

# DIMENSIONS

## S LUM LARGE

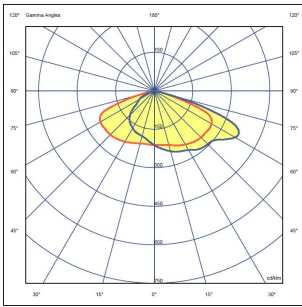


## S LUM EXTRA LARGE

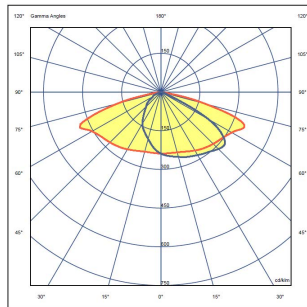


\*All dimensions are in mm.

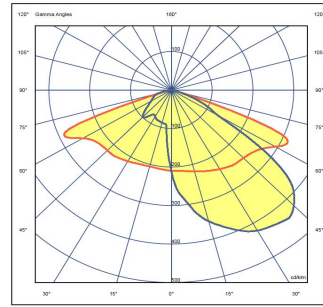
# OPTICS



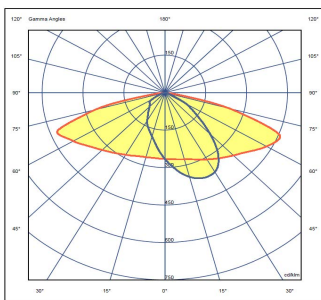
000: Suitable for high installation, larger distances between poles and for parking spaces.



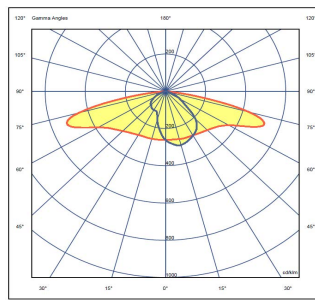
001: Suitable for wider roadways and smaller distances between poles and for parking spaces.



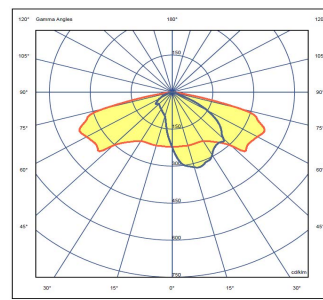
002: Suitable for narrower roadways, access roads, cycling and pedestrian areas.



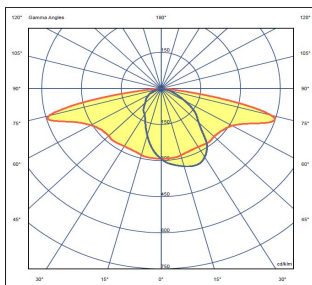
003: Suitable for wider roadways with large distances between poles.



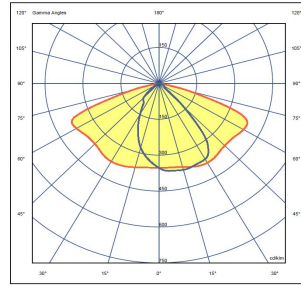
004: Suitable for larger distances between poles. High longitudinal uniformity factor.



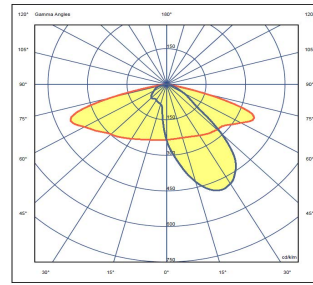
005: Suitable for wide roadways and long distances between poles.



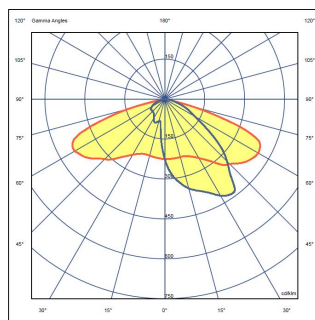
010: Suitable for larger distances between poles and high mounting installation. Higher uniformity factor.



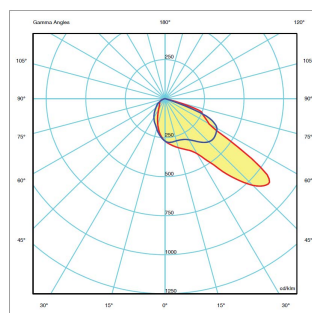
012: Suitable for narrower roadways, access roads, cycling and pedestrian areas.



020: Suitable for wider roadways with large distances between poles.



030: Suitable for larger distances between poles and high mounting installation. Higher uniformity factor.



111: Suitable for pedestrian crossings.

# PRODUCT VARIATIONS

## S LUM Gen3

Article	LED	Power up to [W]	Luminous flux [lm] *	Efficacy up to [lm/W]	Optics	Body type	Control	Appliance class	Additional options
S3S.12.020_---	12-18	20	Up to 3300/3100/2900	165/155/145	11	S LUM G3 Small	DALI D4i	Class I / Class II	PLC, RF, NEMA Socket, Double ZHAGA socket, Motion sensor
S3S.12.040_---	12-18	40	Up to 6600/6200/5800	165/155/145	11	S LUM G3 Small	DALI D4i	Class I / Class II	PLC, RF, NEMA Socket, Double ZHAGA socket, Motion sensor
S3M.36.060_---	36-54	60	Up to 10200/9300/9000	170/155/150	11	S LUM G3 Medium	DALI D4i	Class I / Class II	PLC, RF, NEMA Socket, Double ZHAGA socket, Motion sensor
S3M.54.080_---	36-54	80	Up to 13200/12400/12000	165/155/150	11	S LUM G3 Medium	DALI D4i	Class I / Class II	PLC, RF, NEMA Socket, Double ZHAGA socket, Motion sensor
S3L.72.120_---	48-72	120	Up to 20400/18600/18000	170/155/150	11	S LUM G3 Large	DALI D4i	Class I / Class II	PLC, RF, NEMA Socket, Double ZHAGA socket, Motion sensor
S3X.96.170_---	72-108	170	Up to 28050/26350/25500	165/155/150	11	S LUM G3 Extra large	DALI D4i	Class I / Class II	PLC, RF, NEMA Socket, Double ZHAGA socket, Motion sensor
S3X.120.200_---	72-108	200	Up to 33000/31000/30000	165/155/150	11	S LUM G3 Extra large	DALI D4i	Class I / Class II	PLC, RF, NEMA Socket, Double ZHAGA socket, Motion sensor

\*Luminous flux is valid for CCT 4000 K / 3000 K / 2700 K

### MOUNTING CABLE OPTIONS

Code	Article	Cable length (m)
6001907	Connecting cable; 5x1mm2 SLUM 6000	6
6001908	Connecting cable; 5x1mm2 SLUM 8000	8
6001909	Connecting cable; 5x1mm2 SLUM 10000	10
6001910	Connecting cable; 5x1mm2 SLUM 12000	12
6002536	Connecting cable; 5x1mm2 SLUM 15000	15

## Legend

Example	S3S.12.040.003.3070.10.000.00
Designation scheme	AAA.BB.CCC.DDD.EEFF.GG.HHH.IJ

AAA	Model: S LUM GEN 3; S3S (S LUM GEN 3 small); S3M (S LUM GEN 3 medium); S3L (S LUM GEN 3 large); S3X (S LUM GEN 3 extra large)
BB	LED Board type: Type 12(12-18 LEDs); Type 36 (36 or 54LEDs); Type 54 (36 or 54LEDs); Type 72 (48 or 72 LEDs); Type 96 (72 or 108 LEDs); Type 120 (72, 108 or 120LEDs)
CCC	Luminaire power consumption (20...200W)
DDD	Optics: XXX (can be any number declaring a code for different angular distribution)
EE	CCT: up to 5000 K (22 – 2200K, 27 – 2700 K, 30 – 3000 K, 40 – 4000 K, 50 – 5000 K)
FF	CRI: 70, 80 or 90
GG	Protection class / SPD protection: 1 (Class I); 2 (Class II); 0 (SPD); 1(No SPD)
HHH	Housing color / Rotor / Input cable
I	Control: 0 (without); 1 (light sensor); 2 (Nema socket); 3 (Zhaga socket with SR driver); 4 (Line switch); 5 (Camera holder); 6 (Double Zhaga socket – top + bottom with SR driver)
J	Driver: 0 (Philips DALI); 1 (Tridonic DALI); 3 (Inventronic D4i); 3 (Osram DALI IT); 4 (Philips SR); 5 (Tridonic D4i)

*The latest validated data is available at [www.lumenia.com](http://www.lumenia.com).*